

# SREDHead™

## PCI SRED Ready MagStripe Head Assembly

### Industry's First SRED Ready Magnetic Head

The first of its kind to achieve PCI level SRED certification with minimum external hardware, ID TECH's SREDHead has the full security requirements needed to meet the toughest payment industry requirements. The SREDHead has an extremely small footprint as all the electronics and security features are built into the magnetic head.

### Quick Enablement to Support PCI Requirements

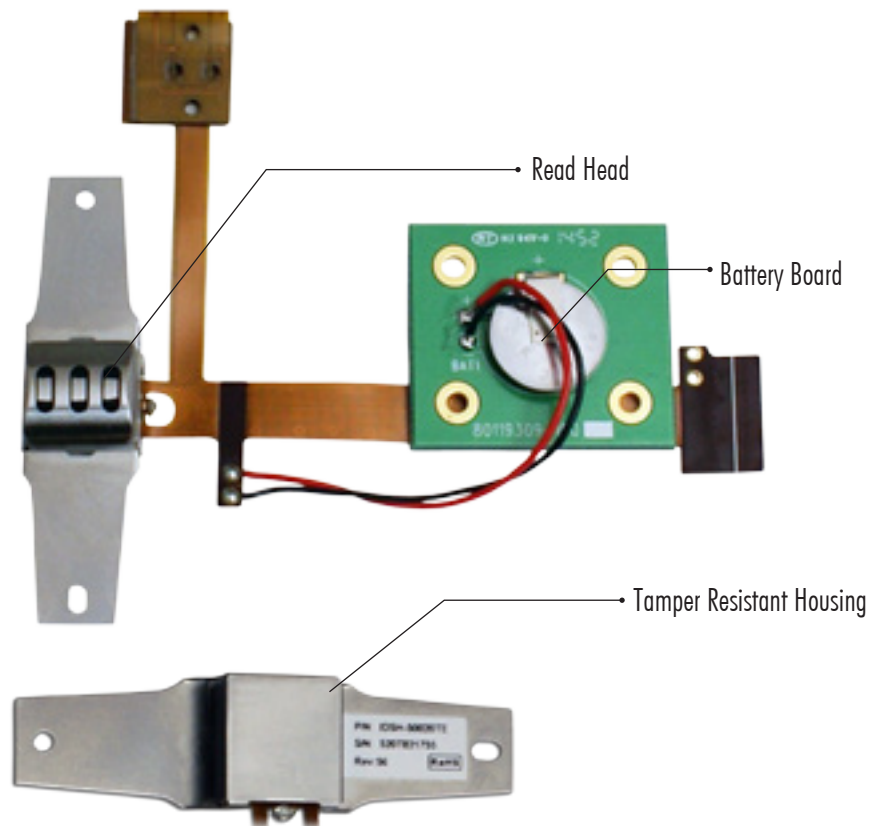
This powerful solution is designed to support easy integration into upcoming or even existing designs. Implementation of ID TECH's SREDHead allows partners to quickly achieve PCI compliance and certification. Being an ideal solution for PCI applications, the SREDHead delivers high quality MagStripe reading of up to 3 tracks of encrypted data. The SREDHead is available in standard wing spring mount but also available in other spring designs which provide flexible mounting options. USB, UART, and SPI are supported interfaces in the SREDHead.

### Highest Security OEM Magnetic Read Head

The SREDHead is equipped with both physical and logical security. The device's logical security is accomplished by TDES and AES encryption with DUKPT key management. Card holder data is secured and sent in encrypted output as soon as it leaves the magnetic head. The device's tamper monitoring design adds the layer of physical security that separates the SREDHead from any other encrypting head in the market.

## Features and Benefits:

- Available in USB, SPI, and UART
- Bidirectional card reading
- In-head electronics to prevent tampering
- Reads up to 3 tracks
- Built-in encryption engine
- Triple DES and AES encryption
- DUKPT key management
- Simple to mount wing spring
- High immunity to ambient noise
- Ideal for PCI applications
- Exceptional reading reliability of real world cards



# SREDHead™

## Specifications IDSH-5XXX

### General

Interfaces: USB, SPI, UART  
Card Speed: 5 to 60 ips (7.6 to 190.5 cm/s)

### Electrical

Power: Operating voltage 3.3V or 5V  $\pm$  10%  
Current: Active Power Supply Current: <10mA  
Standby Power Supply Current: 5 mA  
ESD: +4kV discharge to head can

### Environmental

Operating Temperature: 32°F to 131°F (0°C to 55°C)  
Storage Temperature: -22°F to 158°F (-30°C to 70°C)  
Humidity: Maximum 95% non-condensing

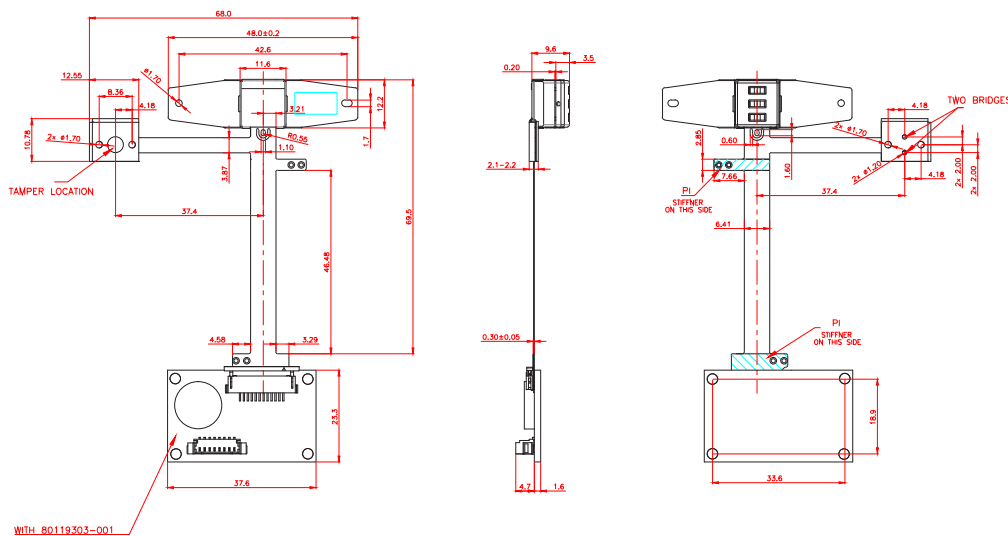
### Reliability

Operating Life: 1,000,000 cycles minimum  
MTBF: Minimum 300,000 POH  
Warranty: One year, parts and labor

### Mechanical

Dimension (L)x(W)x(H): 1.90 inches (48.2 mm) x .48 inches (12.20 mm) x .378 inches (9.6 mm)

Footprint:



### United States Sales Office

#### Corporate Headquarters

10721 Walker Street  
Cypress, CA 90630  
Phone: (714) 761-6368  
Toll Free: (800) 984-1010  
Fax: (714) 761-8880  
sales@idtechproducts.com

### International Sales Offices

#### Asia

+866-3-496-6988 (Taiwan)  
asia@idtechproducts.com.tw

#### Canada

+450-465-5261  
robertop@idtechproducts.com

#### South America

+55-11-3079-2255  
internationalsales@idtechproducts.com

#### Europe

+011 44 1925 269550  
emea@idtechproducts.com

### ISO 9001 Certified



Value through Innovation

www.idtechproducts.com