

Spectrum Pro™

PCI-PTS 4.x with SRED Certified Outdoor Hybrid Insert Reader

Encryption Security and Tamper Resistance

The Spectrum Pro is a PCI-PTS 4.x with SRED hybrid MagStripe and Smart card insert reader designed for outdoor unattended POS operations. Meeting the latest requirements of the payment industry, the Spectrum Pro is EMV Level 1 and Level 2 approved and features DUKPT key management with TDES or AES encryption algorithms to ensure MagStripe and Smart card data is protected. The Spectrum Pro also uses the mutual RSA authentication which the host and PIN pad during the first time initialization to enhance the secure communication. Its tamper-resistant structure extends the reader's physical security to protect consumers' financial data from being compromised.

Easy Integration for Contactless and Chip & PIN Solutions

The Spectrum Pro has the ability to be integrated with ID TECH's PIN pads for a Chip & PIN solution, and with the contactless antenna from the ViVOpay Kiosk III for outdoor and unattended applications such as parking, vending machines, kiosks, ATMs and other POS systems.

Class Leading Durability and Reliability

The Spectrum Pro is IP 65 rated to withstand the rigors of the outdoor environment against dust, liquid and other harmful substances. An optional heater is available to prevent ice from forming in cold environments. The sleep mode and stop mode on the Spectrum Pro allow for power conservation and a fast wake up ability once a card is inserted. An LED on the front of the reader informs users of successful card reading while three LEDs on the back are used for diagnostic purposes.

Features and Benefits:

- **MagStripe and Smart Card Insert Reader for integration into an EMV Chip & PIN Solution**
- **EMV Level 1 and Level 2 Certified**
- **PCI-PTS 4.x Certified with SRED function supported**
- **Supports TDES and AES encryption algorithms with DUKPT key management**
- **RoHS 2 and REACH compliant**
- **Reads up to 3 tracks of card data**
- **Remote Key Injection available**
- **Two SAM module**
- **Optional contactless antenna**
- **Optional latch, front switch and heater**
- **Compatible mounting scheme with the standard ID TECH flush mount metal bezel**
- **Low power sleep mode and stop mode**



Spectrum Pro™

Specifications

Electrical

Interfaces:	RS232, USB-HID
Power Requirements (RS232):	12 VDC
Power Requirements (USB):	12 VDC

Environmental

Operating Temperature:	-13°F to 158°F (-25°C to 70°C) non-condensing
Storage Temperature:	-40°F to 185°F (-40°C to 85°C) non-condensing
Humidity:	Maximum 95% non-condensing

Reliability

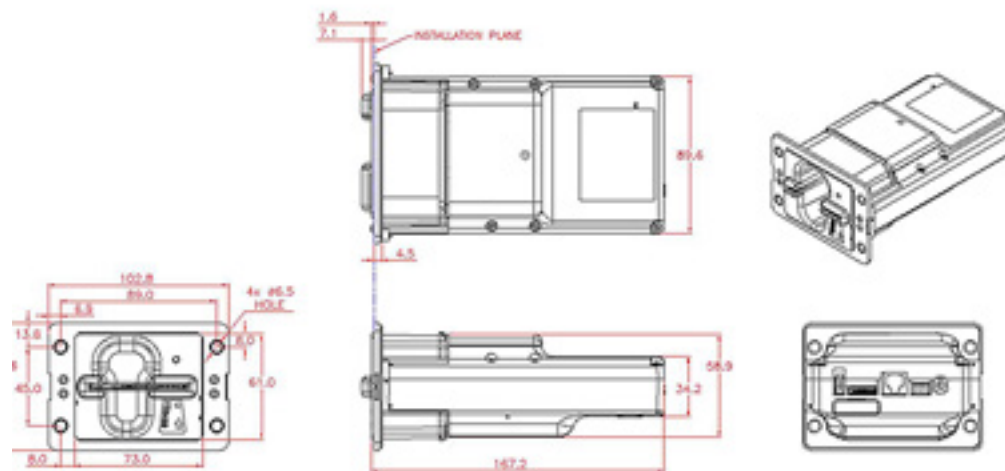
Magnetic Head Life:	1,000,000 cycles minimum*
Chassis and Bezel:	1,000,000 card cycles minimum*
Warranty:	One year, parts and labor

*All wear reliability numbers are based on operation in a benign environment

Mechanical

Dimension (L)x(W)x(H):	6.51 inches (165.3 mm) x 4.0 inches (102.8 mm) x 2.4 inches (60.4 mm)
Media Thickness:	0.76 mm (tolerance +/- 0.08 mm)
Media Formats:	ISO 7810 ID-1 card, ISO 7811, ISO 7816, AAMVA Driver License format
Color:	Black
Seal Rating:	IP 65
Shock Protection:	IK10

Footprint:



United States Sales Office

Corporate Headquarters

10721 Walker Street
Cypress, CA 90630
Phone: (714) 761-6368
Toll Free: (800) 984-1010
Fax: (714) 761-8880
sales@idtechproducts.com

International Sales Offices

Asia

+866-3-496-6988 (Taiwan)
asia@idtechproducts.com.tw

Canada

+450-465-5261
robertop@idtechproducts.com

South America

+55-11-3079-2255
internationalsales@idtechproducts.com

Europe

+011 44 1925 269550
emea@idtechproducts.com

ISO 9001 Certified



www.idtechproducts.com