



SecuRED™

PCI SRED MagStripe Swipe Reader

PCI Certified Security

SecuRED is a PCI SRED (Secure Reading Exchange of Data) Certified magnetic stripe card reader. This intelligent reader, not only encrypts payment card data as it swiped through the device, but also provides the physical security and tamper resistance needed to achieve PCI SRED standards. ID TECH's SecuRED allows customers the flexibility to choose a decryption party right for them and is needed for companies looking to certify a P2PE solution. When included within a P2PE certified solution, SecuRED, is a critical element leading to achieve merchant PCI scope reduction.

End to End Encryption

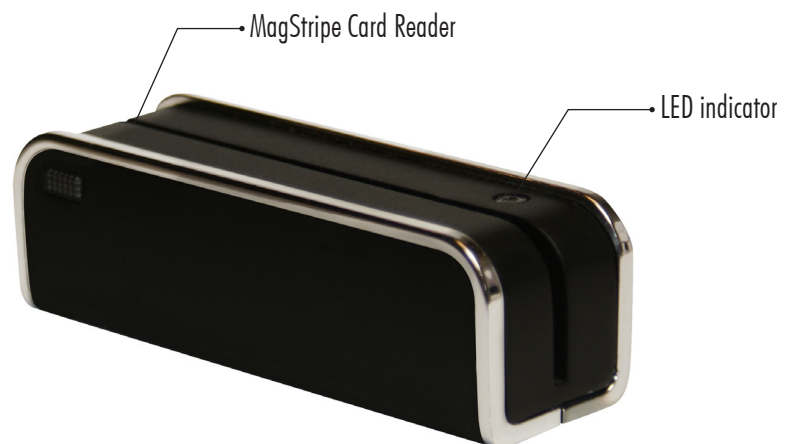
DUKPT key management is featured within the SecuRED and TDES or AES encryption algorithms are used to ensure the card holder data is handled and protected to meet the demanding and latest requirements of the payment industry. The SecuRED outputs both encrypted data and masked data which provides for flexibility to the host application.

Easy to Integrate and Use

While SecuRED is the most secure MSR solution available from ID TECH, it is very user friendly and reliable. It is available in USB HID and USB Keyboard emulation interfaces and SecuRED also features OPOS drivers. Beeper, LED and Bi-directional communication are all supported along with threaded insert on the reader base to allow for mounting accommodations. The SecuRED also features proven reliability known within ID TECH products and is has an operating life of at least 1,000,000 cycles.

Features and Benefits:

- **PCI-PTS SRED magnetic stripe reader**
- **Reads up to 3 tracks of information**
- **Powered through USB port, no external power supply required**
- **Interface includes: USB-KB and USB-HID**
- **Bi-directional card reading capability**
- **Provides clear text confirmation data including card holder's name and a portion of the PAN as part of the masked track data**



SecuRED™

Specifications IDSR-33X1XXXX

Electrical

Power Requirements:	+5 VDC +/- 10%, 50mV ripple max USB Keyboard, USB-HID 5.5mA typical w/LED, 8mA Peak
Interfaces:	USB Keyboard and USB-HID
Card Speed:	5 to 65 ips (7.6 to 165 cm/s)

Environmental

Operating Temperature:	32°F to 131°F (0°C to 55°C)
Storage Temperature:	-22°F to 149°F (-30°C to 65°C)
Humidity:	Maximum 95% non-condensing, dry storage

Reliability

Operating Life:	1,000,000 cycles minimum
Warranty:	One year, parts and labor

Mechanical

Dimension (L)x(W)x(H):	3.94 inches (100mm) x 1.18 inches (30mm) x 1.18 inches (30mm)
Media Thickness:	0.025 inches (0.635mm) Minimum 0.035 inches (0.889mm) maximum
Media Formats:	ISO 7811, AAMVA
Swipe Speed:	3 to 60 inches per second, bi-directional
Cable Length:	6-foot side exit (bottom exit is an option)

United States Sales Office

Corporate Headquarters

10721 Walker Street
Cypress, CA 90630
Phone: (714) 761-6368
Toll Free: (800) 984-1010
Fax: (714) 761-8880
sales@idtechproducts.com

International Sales Offices

Asia

+866-3-496-6988 (Taiwan)
asia@idtechproducts.com.tw

Canada

+450-465-5261
robertop@idtechproducts.com

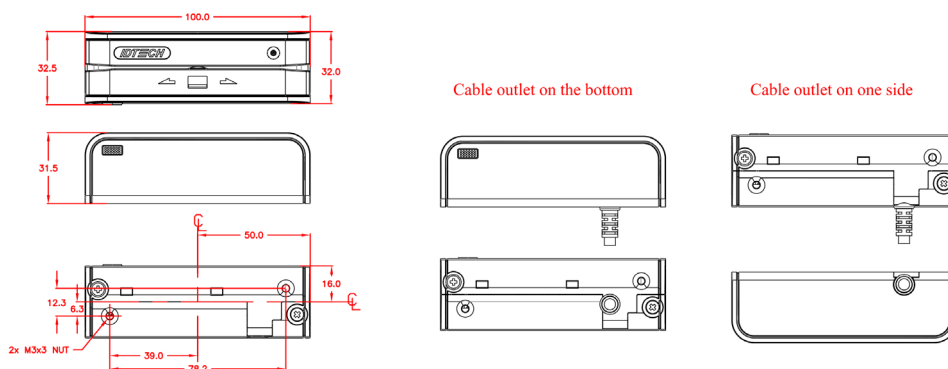
South America

+55-11-3079-2255
internationalsales@idtechproducts.com

Europe

+011-44-1925-269550
emea@idtechproducts.com

ISO 9001 Certified



Value through Innovation

www.idtechproducts.com