

Augusta/Augusta S

Secure EMV Chip Card and Magnetic Stripe Reader

Familiar Form Factor and Functionality

The Augusta is a secure EMV chip and magnetic stripe reader that offers retailers a simple upgrade path to EMV from traditional desktop magnetic stripe readers. This reader is able to provide superior reading performance while also encrypting sensitive magnetic stripe and EMV data. With all data encrypted, the Augusta can participate in end-to-end solutions reducing the risk of data compromises.

Easy to Integrate and Use

The Augusta is very user friendly and reliable. It is available in USB-HID or USB-KB configuration and uses common HID drivers. Beeper, LEDs and bidirectional communication make interacting with the unit very intuitive. The location of the mounting holes makes it easy to mount to any previous MiniMag II or SecuRED mounting bracket. The Augusta is designed with a metal wear plate to be able to support 1,000,000 magnetic stripe operations and a robust chip card connector to surpass 500,000 EMV transactions.

Features and Benefits:

- Available in USB-HID & USB-KB
- EMV Level 1 and Level 2 certified
- EMV Level 2 kernel resides in the hardware
- Bidirectional MagStripe reading
- Provides encrypted MSR or EMV data
- USB Powered
- Reads encoded data that meets ANSI, ISO, and AAMVA standards
- Reads up to three tracks of information
- Support TDES and AES encryption
- DUKPT key management
- Mounting compatibility with MiniMag II and SecuRED
- PCI 4.1 SRED (Augusta S)
- Remote key injection supported



Augusta/Augusta S

Specifications IDEM-XXXXX

General

Interfaces: MSR: USB-HID, USB-KB
EMV: USB-HID

Electrical

Power Requirements: 5V USB powered

Environmental

Operating Temperature: 0°C to 55°C (32°F to 131°F)
Storage Temperature: -25°C to 65°C (-13°F to 150°F)
Humidity: Max 95% non-condensing

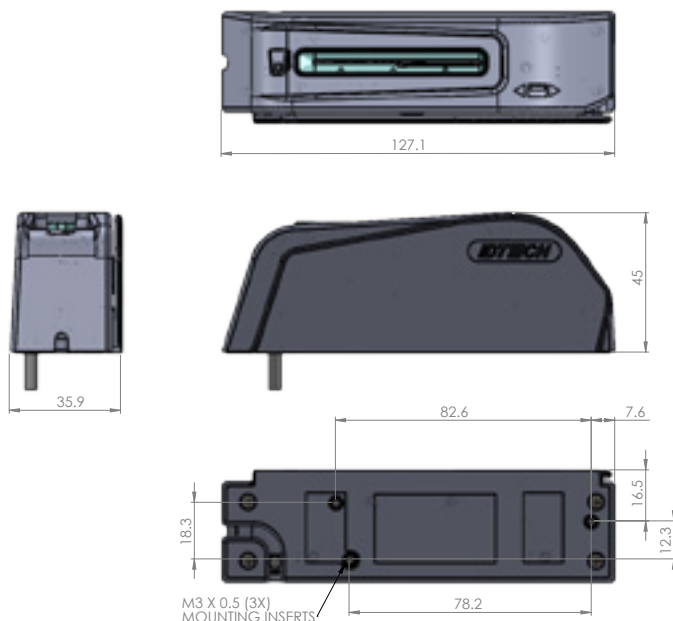
Reliability

Operating Life: MSR: 1,000,000 passes
EMV: 500,000 inserts

Mechanical

Dimension (H)x(L)x(W): 1.77 inches (45 mm) X 5 inches (127 mm) X 1.42 inches (36 mm)
Media Thickness: MSR: .015 inches (.0381 mm) to 0.038 inches (0.9852 mm)
EMV: 0.0354 inches (0.9 mm)
Media Format: MSR: ISO 7811, AAMVA
EMV: ISO 7816
Swipe Speed: 3 to 60 inches per second, bidirectional
Weight: w/o base 178g
w/ base 291g

Footprint:



United States Sales Office

Corporate Headquarters

10721 Walker Street
Cypress, CA 90630
Phone: (714) 761-6368
Toll Free: (800) 984-1010
Fax: (714) 761-8880
sales@idtechproducts.com

International Sales Offices

Asia

+866-3-496-6988 (Taiwan)
asia@idtechproducts.com.tw

Canada

+450-465-5261
robertop@idtechproducts.com

South America

+55-11-3079-2255
internationalsales@idtechproducts.com

Europe

+011-55 11-3079-2255
emea@idtechproducts.com

ISO 9001 Certified



Value through Innovation

www.idtechproducts.com